

**General Characteristics of VI Series Belt Drive Exhaust Fan**

The VI Series is a belt drive exhaust fan created by Triangle Engineering of Arkansas Inc.  
The VI Series Belt Drive Exhaust Fans are built with a rugged heavy-gauge galvanized steel housing.  
These units also come standard with a durable polyester powder coated venturi. As well as a bronze powder coated rolled inlet venturi.  
Designed with maximum airflow and corrosion resistance in mind. VI Series is available in 24", 30", 36", 42", 48", 54" and 60".  
These industrial units can ventilate from 3,740 CFMs up to 19,900 CFMs, using a 1/2 or 1 HP.  
The motors are available in an Open Drip Proof (ODP) or Totally Enclosed option.  
To reduce maintenance and extend belt and motor life, these units are equipped with a Triangle Exclusive "X-Wing" belt tensioner.  
The maximum operational temperatures for these fans are 140°F or 60°C.  
**OPTIONS:** Two speed single phase motors up to 1/2HP, 115V only. Motor Amps may differ slightly.

**Product Applications of VI Series Belt Drive Exhaust Fan**

The VI Series Belt Drive Exhaust Fans, are used for use in factories, steel mills, machine shops, warehouses, greenhouses or anywhere large volumes of warm or stagnant air must be moved, or when little maintenance is ideal, that need ventilation.

**Warranty of VI Series Belt Drive Exhaust Fan**

Manufacturer's Limited Warranty: 3Year.



**Specific Characteristics of VI Series Belt Drive Exhaust Fan**

Item #	Manufacture r #	Ø Dia. In.	CFM				Volts V	Amps A	Phase Ph	HP	Drive Type	Motor Type	Package Shipping Weight and Dimensions	
			0.0 SP	0.125 SP	0.25 SP	0.5 SP							Lbs.	L,W,H In.
<b>USDAA -001</b>	VI2412-V	24	4190	3250	1950	115	2.97	1	1/3	Belt	Open	105	31,20,31	
<b>USDAA -002</b>	VI2412-X	24	4190	3250	1950	230/460	0.86/0.43	3	1/3	Belt	Open	105	31,20,31	
<b>USDAA -003</b>	VI2413-V	24	5000	4250	3430	115	4.5	1	1/2	Belt	Open	110	31,20,31	
<b>USDAA -004</b>	VI2413-W	24	5000	4250	3430	230	2.25	1	1/2	Belt	Open	110	31,20,31	
<b>USDAA -005</b>	VI2413T-U	24	5000	4250	3430	115/230	4.5/2.25	1	1/2	Belt	Enclosed	110	31,20,31	
<b>USDAA -006</b>	VI2413-X	24	5000	4250	3430	230/460	1.3/0.65	3	1/2	Belt	Open	110	31,20,31	
<b>USDAA -007</b>	VI2413T-X	24	5000	4250	3430	230/460	1.3/0.65	3	1/2	Belt	Enclosed	110	31,20,31	
<b>USDAA -008</b>	VI3012-V	30	7080	6050	4940	115	2.97	1	1/3	Belt	Open	115	35,20,35	
<b>USDAA -009</b>	VI3012-W	30	7080	6050	4940	230	1.49	1	1/3	Belt	Open	115	35,20,35	
<b>USDAA -010</b>	VI3012T-U	30	7080	6050	4940	115/230	2.97/1.49	1	1/3	Belt	Enclosed	115	35,20,35	
<b>USDAA -011</b>	VI3012-X	30	7080	6050	4940	230/460	0.86/0.43	3	1/3	Belt	Open	115	35,20,35	
<b>USDAA -012</b>	VI3012T-X	30	7080	6050	4940	230/460	0.86/0.43	3	1/3	Belt	Enclosed	115	35,20,35	
<b>USDAA -013</b>	VI3013-V	30	9180	7880	6430	115	4.5	1	1/2	Belt	Open	115	35,20,35	
<b>USDAA -014</b>	VI3013-W	30	9180	7880	6430	230	2.25	1	1/2	Belt	Open	115	35,20,35	



<b>USDAA -015</b>	VI3013T-U	30	9180	7880	6430		115/230	4.5/2.25	1	1/2	Belt	Enclosed	115	35,20,35
<b>USDAA -016</b>	VI3013-X	30	9180	7880	6430		230/460	1.3/0.65	3	1/2	Belt	Open	115	35,20,35
<b>USDAA -017</b>	VI3013T-X	30	9180	7880	6430		230/460	1.3/0.65	3	1/2	Belt	Enclosed	115	35,20,35
<b>USDAA -018</b>	VI3014-U	30	9840	8650	7190		115/230	6.76/3.38	1	3/4	Belt	Open	114	35,20,35

### Specific Characteristics of VI Series Belt Drive Exhaust Fan

Item #	Manufacture r #	Ø Dia. In.	CFM				Volts V	Amps A	Phase Ph	HP	Drive Type	Motor Type	Package Shipping Weight and Dimensions	
			0.0 SP	0.125 SP	0.25 SP	0.5 SP							Lbs.	L,W,H In.
<b>USDAA -019</b>	VI3014T-U	30	9840	8650	7190		115/230	6.76/3.38	1	3/4	Belt	Enclosed	119	35,20,35
<b>USDAA -020</b>	VI3014-X	30	9840	8650	7190		230/460	1.95/0.98	3	3/4	Belt	Open	119	35,20,35
<b>USDAA -021</b>	VI3014T-X	30	9840	8650	7190		230/460	1.95/0.98	3	3/4	Belt	Enclosed	119	35,20,35
<b>USDAA -022</b>	VI3613-V	36	10800	8840	6550		115	4.5	1	1/2	Belt	Open	130	41,20,41
<b>USDAA -023</b>	VI3613-V	36	10800	8840	6550		230	2.25	1	1/2	Belt	Open	130	41,20,41
<b>USDAA -024</b>	VI3613T-U	36	10800	8840	6550		115/230	4.5/2.25	1	1/2	Belt	Enclosed	130	41,20,41
<b>USDAA -025</b>	VI3613-X	36	10800	8840	6550		230/460	1.3/0.65	3	1/2	Belt	Open	130	41,20,41
<b>USDAA -026</b>	VI3613T-X	36	10800	8840	6550		230/460	1.3/0.65	3	1/2	Belt	Enclosed	130	41,20,41
<b>USDAA -027</b>	VI3614-U	36	11100	7850	4380		115/230	6.76/3.38	1	3/4	Belt	Open	141	41,20,41
<b>USDAA -028</b>	VI3614T-U	36	11100	7850	4380		115/230	6.76/3.38	1	3/4	Belt	Enclosed	141	41,20,41
<b>USDAA -029</b>	VI3614-X	36	11100	7850	4380		230/460	1.95/0.98	3	3/4	Belt	Open	141	41,20,41
<b>USDAA -030</b>	VI3614T-X	36	11100	7850	4380		230/460	1.95/0.98	3	3/4	Belt	Enclosed	141	41,20,41
<b>USDAA -031</b>	VI3615-U	36	12100	9030	5970		115/230	9.01/4.5	1	1	Belt	Open	150	41,20,41
<b>USDAA -032</b>	VI3615T-U	36	12100	9030	5970		115/230	9.01/4.5	1	1	Belt	Enclosed	150	41,20,41
<b>USDAA -033</b>	VI3615-X	36	12100	9030	5970		230/460	2.6/1.3	3	1	Belt	Open	150	41,20,41
<b>USDAA -034</b>	VI3615T-X	36	12100	9030	5970		230/460	2.6/1.3	3	1	Belt	Enclosed	150	41,20,41
<b>USDAA -035</b>	VI3616-U	36	13110	9820	6450		115/230	13.51/6.76	1	1 ½	Belt	Open	165	41,20,41
<b>USDAA X-036</b>	VI3616T-U	36	13110	9820	6450		115/230	13.51/6.76	1	1 ½	Belt	Enclosed	165	41,20,41
<b>USDAA -037</b>	VI3616-X	36	13110	9820	6450		230/460	3.9/1.95	3	1 ½	Belt	Open	165	41,20,41
<b>USDAA -038</b>	VI3616T-X	36	13110	9820	6450		230/460	3.9/1.95	3	1 ½	Belt	Enclosed	165	41,20,41
<b>USDAA -039</b>	VI3617-U	36	12780	11790	10800	8250	115/230	18.02/9.01	1	2	Belt	Open	207	41,30,41
<b>USDAA -040</b>	VI3617-X	36	12780	11790	10800	8250	230/460	5.2/2.6	3	2	Belt	Open	207	41,30,41
<b>USDAA -041</b>	VI3617T-X	36	12780	11790	10800	8250	230/460	5.2/2.6	3	2	Belt	Enclosed	207	41,30,41
<b>USDAA -042</b>	VI3618-X	36	15400	14200	13000	9970	230/460	7.8/3.9	3	3	Belt	Open	274	41,30,41
<b>USDAA -043</b>	VI3618T-X	36	15400	14200	13000	9970	230/460	7.8/3.9	3	3	Belt	Enclosed	274	41,30,41
<b>USDAA -044</b>	VI4213-V	42	13000	9730	4270		115	4.5	1	1/2	Belt	Open	155	47,20,47
<b>USDAA -045</b>	VI4213-W	42	13000	9730	4270		230	2.25	1	1/2	Belt	Open	155	47,20,47
<b>USDAA -046</b>	VI4213T-U	42	13000	9730	4270		115/230	4.5/2.25	1	1/2	Belt	Enclosed	155	47,20,47
<b>USDAA -047</b>	VI4213-X	42	13000	9730	4270		230/460	1.3/0.65	3	1/2	Belt	Open	155	47,20,47
<b>USDAA -048</b>	VI4213T-X	42	13000	9730	4270		230/460	1.3/0.65	3	1/2	Belt	Enclosed	155	47,20,47
<b>USDAA -049</b>	VI4214-U	42	14600	12000	6780		115/230	6.76/3.38	1	3/4	Belt	Open	160	47,20,47
<b>USDAA -050</b>	VI4214T-U	42	14600	12000	6780		115/230	6.76/3.38	1	3/4	Belt	Enclosed	160	47,20,47
<b>USDAA -051</b>	VI4214-X	42	14600	12000	6780		230/460	1.95/1.95	3	3/4	Belt	Open	160	47,20,47
<b>USDAA -052</b>	VI4215-U	42	16000	11600	6040		115/230	9.01/4.5	1	1	Belt	Open	176	47,20,47
<b>USDAA -053</b>	VI4215T-U	42	16000	11600	6040		115/230	9.01/4.5	1	1	Belt	Enclosed	176	47,20,47
<b>USDAA -054</b>	VI4215-X	42	16000	11600	6040		230/460	2.6/1.3	3	1	Belt	Open	176	47,20,47
<b>USDAA -055</b>	VI4215T-X	42	16000	11600	6040		230/460	2.6/1.3	3	1	Belt	Enclosed	176	47,20,47
<b>USDAA -056</b>	VI4216-U	42	17200	14700	10800		115/230	13.51/6.76	1	1 ½	Belt	Open	190	47,20,47
<b>USDAA -057</b>	VI4216T-U	42	17200	14700	10800		115/230	13.51/6.76	1	1 ½	Belt	Enclosed	190	47,20,47
<b>USDAA -058</b>	VI4216-X	42	17200	14700	10800		230/460	3.9/1.95	3	1 ½	Belt	Open	190	47,20,47
<b>USDAA -059</b>	VI4216T-X	42	17200	14700	10800		230/460	3.9/1.95	3	1 1/2	Belt	Enclosed	190	47,20,47
<b>USDAA -060</b>	VI4217-U	42	16800	15100	13200		115/230	18.02/9.01	1	2	Belt	Open	215	47,30,47
<b>USDAA -061</b>	VI4217T-U	42	16800	15100	13200		115/230	18.02/9.01	1	2	Belt	Enclosed	215	47,30,47



<b>USDAA -062</b>	VI4217-X	42	16800	15100	13200		230/460	5.2/2.6	3	2	Belt	Open	215	47,30,47
<b>USDAA -063</b>	VI4217T-X	42	16800	15100	13200		230/460	5.2/2.6	3	2	Belt	Enclosed	215	47,30,47
<b>USDAA -064</b>	VI4814-U	48	19100	14300	6160		115/230	6.76/3.38	1	3/4	Belt	Open	190	53,20,53
<b>USDAA -065</b>	VI4814T-U	48	19100	14300	6160		115/230	6.76/3.38	1	3/4	Belt	Enclosed	190	53,20,53

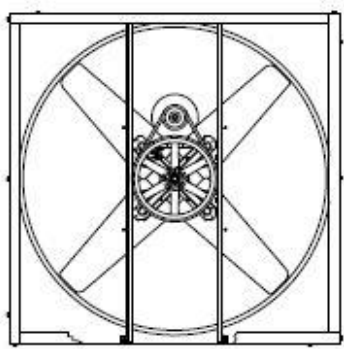
Item #	Manufacturer #	Ø Dia. In.	CFM				Volts V	Amps A	Phase Ph	HP	Drive Type	Motor Type	Package Shipping Weight and Dimensions	
			0.0 SP	0.125 SP	0.25 SP	0.5 SP							Lbs.	L,W,H In.
<b>USDAA -066</b>	VI4814-X	48	19100	14300	6160		230/460	1.95/1.95	3	3/4	Belt	Open	190	53,20,53
<b>USDAA -067</b>	VI4814T-X	48	19100	14300	6160		230/460	1.95/1.95	3	3/4	Belt	Enclosed	190	53,20,53
<b>USDAA -068</b>	VI4815-U	48	20600	16000	7770		115/230	9.01/4.5	1	1	Belt	Open	200	53,20,53
<b>USDAA -069</b>	VI4815T-U	48	20600	16000	7770		115/230	9.01/4.5	1	1	Belt	Enclosed	200	53,20,53
<b>USDAA -070</b>	VI4815-X	48	20600	16000	7770		230/460	2.6/1.3	3	1	Belt	Open	200	53,20,53
<b>USDAA -071</b>	VI4815T-X	48	20600	16000	7770		230/460	2.6/1.3	3	1	Belt	Enclosed	200	53,20,53
<b>USDAA -072</b>	VI4816-U	48	21500	16400	10400		115/230	13.51/6.76	1	1 ½	Belt	Open	215	53,20,53
<b>USDAA -073</b>	VI4816T-U	48	21500	16400	10400		115/230	13.51/6.76	1	1 ½	Belt	Enclosed	215	53,20,53
<b>USDAA -074</b>	VI4816-X	48	21500	16400	10400		230/460	3.9/1.95	3	1 ½	Belt	Open	215	53,20,53
<b>USDAA -075</b>	VI4816T-X	48	21500	16400	10400		230/460	3.9/1.95	3	1 ½	Belt	Enclosed	215	53,20,53
<b>USDAA -076</b>	VI4817-U	48	21100	19000	16500		115/230	18.02/9.01	1	2	Belt	Open	245	53,30,53
<b>USDAA -077</b>	VI4817T-U	48	21100	19000	16500		115/230	18.02/9.01	1	2	Belt	Enclosed	245	53,30,53
<b>USDAA -078</b>	VI4817-X	48	21100	19000	16500		230/460	5.2/2.6	3	2	Belt	Open	245	53,30,53
<b>USDAA -079</b>	VI4817T-X	48	21100	19000	16500		230/460	5.2/2.6	3	2	Belt	Enclosed	245	53,30,53
<b>USDAA -080</b>	VI4818-U	48	23700	21500	19300		115/230	27.03/13.51	1	3	Belt	Open	310	53,30,53
<b>USDAA -081</b>	VI4818-X	48	23700	21500	19300		230/460	7.8/3.9	3	3	Belt	Open	310	53,30,53
<b>USDAA -082</b>	VI4818T-X	48	23700	21500	19300		230/460	7.8/3.9	3	3	Belt	Enclosed	310	53,30,53
<b>USDAA -083</b>	VI4819-W	48	28800	26800	24500	18400	230	22.52	1	5	Belt	Open	335	53,30,53
<b>USDAA -084</b>	VI4819-X	48	28800	26800	24500	18400	230/460	13/6.5	3	5	Belt	Open	335	53,30,53
<b>USDAA -085</b>	VI4819T-X	48	28800	26800	24500	18400	230/460	13/6.5	3	5	Belt	Enclosed	335	53,30,53
<b>USDAA -086</b>	VI5417-U	54	25500	22300	19900		115/230	18.02/9.01	1	2	Belt	Open	350	63,30,63
<b>USDAA -087</b>	VI5417T-U	54	25500	22300	19900		115/230	18.02/9.01	1	2	Belt	Enclosed	350	63,30,63
<b>USDAA -088</b>	VI5417-X	54	25500	22300	19900		230/460	5.2/2.6	3	2	Belt	Open	350	63,30,63
<b>USDAA -089</b>	VI5417T-X	54	25500	22300	19900		230/460	5.2/2.6	3	2	Belt	Enclosed	350	63,30,63
<b>USDAA -090</b>	VI5418-U	54	29800	27100	24600		115/230	27.03/13.51	1	3	Belt	Open	360	63,30,63
<b>USDAA -091</b>	VI5418-X	54	29800	27100	24600		230/460	7.8/3.9	3	3	Belt	Open	360	63,30,63
<b>USDAA -092</b>	VI5418T-X	54	29800	27100	24600		230/460	7.8/3.9	3	3	Belt	Enclosed	360	63,30,63
<b>USDAA -093</b>	VI5419-W	54	37300	35000	32600	26500	230	22.52	1	5	Belt	Open	370	63,30,63
<b>USDAA -094</b>	VI5419-X	54	37300	35000	32600	26500	230/460	13/6.5	3	5	Belt	Open	370	63,30,63
<b>USDAA -095</b>	VI5419T-X	54	37300	35000	32600	26500	230/460	13/6.5	3	5	Belt	Enclosed	370	63,30,63
<b>USDAA -096</b>	VI6017-U	60	30800	27800	23900		115/230	18.02/9.01	1	2	Belt	Open	430	69,30,69
<b>USDAA -097</b>	VI6017T-U	60	30800	27800	23900		115/230	6.4/3.2	1	2	Belt	Enclosed	430	69,30,69
<b>USDAA -098</b>	VI6017-X	60	30800	27800	23900		230/460	5.2/2.6	3	2	Belt	Open	430	69,30,69
<b>USDAA -099</b>	VI6017T-X	60	30800	27800	23900		230/460	5.2/2.6	3	2	Belt	Enclosed	430	69,30,69
<b>USDAA -100</b>	VI6018-U	60	34700	31700	28700	20800	115/230	27.03/13.51	1	3	Belt	Open	435	69,30,69
<b>USDAA -101</b>	VI6018-X	60	34700	31700	28700	20800	230/460	7.8/3.9	3	3	Belt	Open	435	69,30,69
<b>USDAA -102</b>	VI6018T-X	60	34700	31700	28700	20800	230/460	7.8/3.9	3	3	Belt	Enclosed	435	69,30,69
<b>USDAA -103</b>	VI6019-W	60	43500	40600	37200	30500	230	22.52	1	5	Belt	Open	445	69,30,69
<b>USDAA -104</b>	VI6019-X	60	43500	40600	37200	30500	230/460	13/6.5	3	5	Belt	Open	445	69,30,69
<b>USDAA -105</b>	VI6019T-X	60	43500	40600	37200	30500	230/460	13/6.5	3	5	Belt	Enclosed	445	69,30,69



**Dimension (In.) of VI Series Belt Drive Exhaust Fan**

Item#	Blade Ø Dia. In.	Overall Square Side A In.	Overall Square Side B In.	Depth Side C In.
USDAA-001 to 007	24	30 ¾"	30 ¾"	20
USDAA -008 to 021	30	34 ¾"	34 ¾"	20
USDAA -022 to 038	36	40 ¾"	40 ¾"	20
USDAA -039 to 043	36	40 ¾"	40 ¾"	30
USDAA -044 to 059	42	46 ¾"	46 ¾"	20
USDAA -060 to 063	42	46 ¾"	46 ¾"	30
USDAA -064 to 075	48	52 ¾"	52 ¾"	20
USDAA -076 to 085	48	52 ¾"	52 ¾"	30
USDAA -086 to 095	54	62 7/8"	62 7/8"	30
USDAA -096 to 105	60	68 7/8"	68 7/8"	30

**Dimension (In.) of VI Series Belt Drive Exhaust Fan**



Blade Ø

